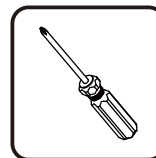
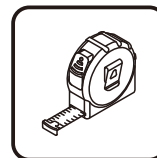
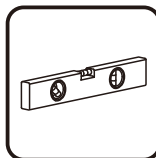
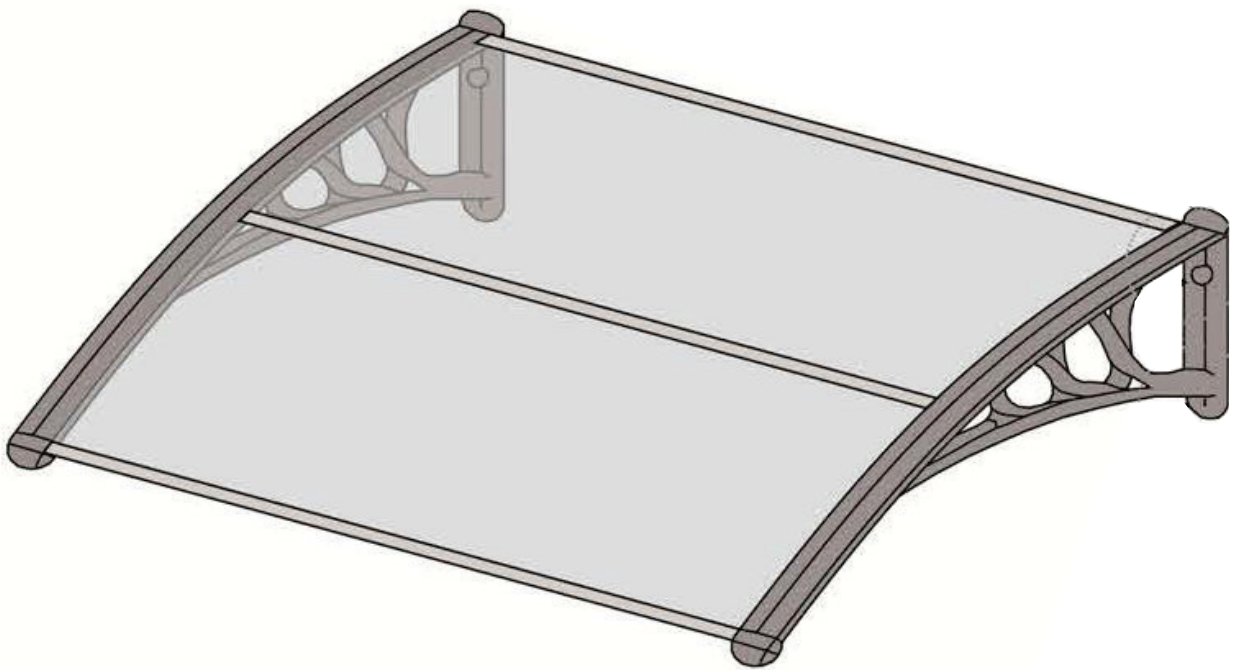




INcea029V03_GL



IMPORTANT, RETAIN FOR FUTURE REFERENCE: READ CAREFULLY

Tools Recommended

ASSEMBLY & INSTRUCTION MANUAL

PARTS

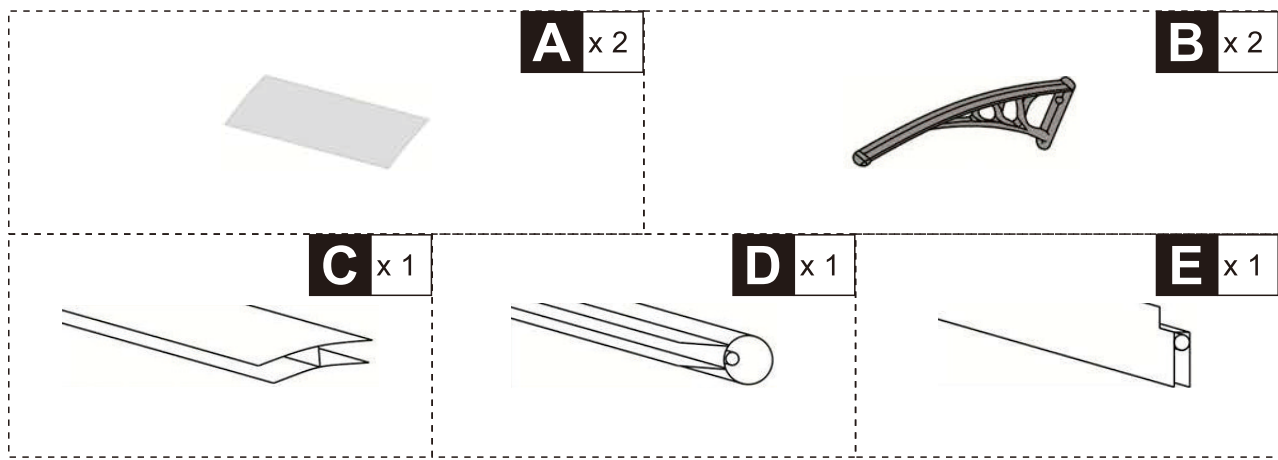
A x 2

B x 2

C x 1

D x 1

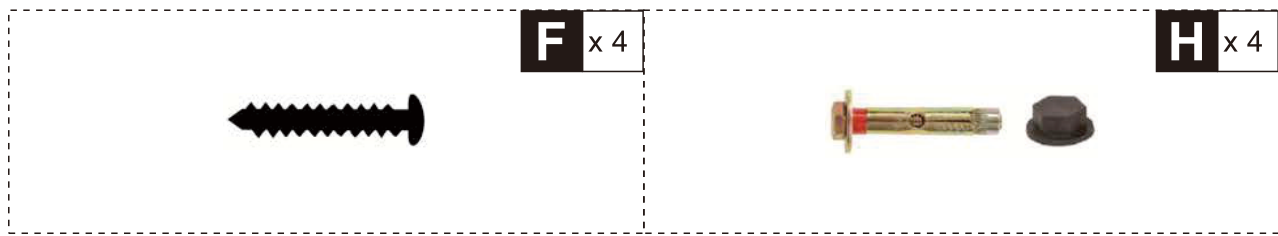
E x 1



HARDWARE

F x 4

H x 4



01

